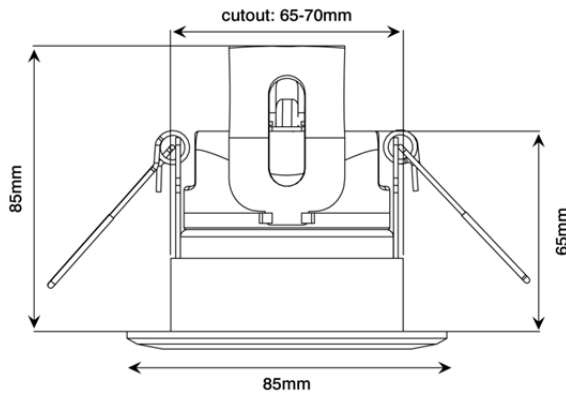


## SPECIFICATION SHEET

<b>Product Code</b>	<b>LED4600*7D</b>
---------------------	-------------------

<b>Description</b>	<b>7W Integrated Fixed Dimmable LED Downlight – IP65, Fire &amp; Acoustic Rated with Colour Temperature Adjustment Switch</b>
--------------------	---



General Information			
Dimmable/Non-Dimmable	<b>Dimmable</b>		
LED Colour Temperatures available	2700K (Warm)	4200K (Cool)	6500K (Daylight)
Finish Colours Available	Replace* with: White (WH), Chrome (CH) or Satin Chrome (SC)		
Adjustable Bezels Available (IP54)	15° Adjustable Angle BZ4605CH (Chrome), BZ4605SC (Satin Chrome), BZ4605WH (White)		
Material composition	Steel, Aluminium, ABS, Nylon & Polycarbonate		
Cut-Out	65-70mm (Fixed & Adjustable)		
Ceiling Thickness	5-40mm		
Ceiling Void depth	65mm+, 85mm+ (With Insulation Support Bracket)		
Dimensions	Height 65mm, 85mm (With Insulation Bracket), Diameter 85mm		
Warranty	Registered: <b>5 Years</b> . Unregistered: 2 Years		
Weight	0.325Kg		
Light Output Information			
Output Wattage (approx.)	5.6W		
CRI	>80		
LED Lifetime (L70)	(L70) 25,000 hours		
Total Luminous Flux	500lm	580lm	550lm
Beam Angle	40°	50°	65°
Total Luminous Efficacy (Effective)	71 lm/W (61 lm/W)	83 lm/W (69 lm/W)	79 lm/W (64 lm/W)
Power Factor	0.9		
Driver Information			
Connection	Integrated Flow® Connector		
Input	220-240Vac / 7W		
Output	160mA / 35V DC		
Switching Cycles	20,000		
Critical Temperature	80°C		
Part L1 Compliance (as of 2014)	Yes		
Part L2 Compliance (as of 2014)	Yes		
Regulation Ratings			
Fire Rating	30, 60 & 90 minute		
Ingress Protection Rating	IP65 (Zone 1), (IP54 with Adjustable Bezel)		
Acoustic Rating	0dB (zero impact on sound insulation)		
Air Flow	BS 5250: 2011 compliant		
Standards			
BS EN 55015: 2006/+A1: 2007/+A2: 2009, BS EN 61547: 2009 BS EN 61000-3-2: 2006+A1: 2009+A2: 2009, BS EN 61000-3-3: 2008 BS EN 62493: 2010			

Errors & Omissions excluded. Specification is subject to change without notice.

V1.0

**SPECIFICATION SHEET**



Optional Insulation Support  
Bracket Included

LED4600WH7D fitted with  
BZ4605WH Adjustable Bezel



Colour Temperature Adjustment Switch



65mm Low Profile

Features	Benefits
• Integrated LED driver	• Straight to mains
• Flow® connector	• One quick, easy connection
• High Efficiency	• Part-L compliance
• Compact Size; product will fit into a 65mm+ void depth	• Easy install into shallow ceiling void
• Intumescent Collar	• Added Fire-Protection
• Various finishes	• To suit any installation
• Choice of bezel	• To adapt to your purpose
• Various colour temperatures / beam angles	• All combined within the same downlight due to the colour temperature adjustment switch
• Adaptable cut-out	• Fits 65-70mm cut-out
• Double Insulated	• No Earth required
• Low-Energy	• Cost saving against traditional lamps
• Thermal protection	• Self-resetting if product overheats
• Fire, Air-Flow and Acoustic Rated	• Building Regulations Compliant

Errors & Omissions excluded. Specification is subject to change without notice.

V1.0